



REPLACEMENT ROLLERS

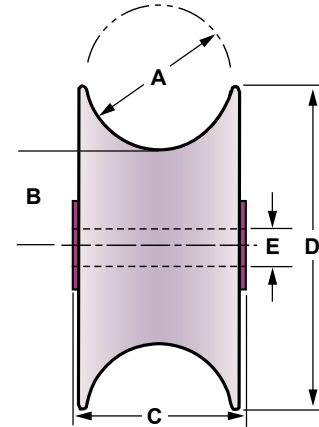
FYI

No poly-based rope is to be used on plastic rollers.

If you are using poly rope, please order aluminum block rollers.

Replacement Rollers

Replacement Rollers available for aerial cable blocks and hangers. Refer to this chart for specifications on roller sizes for these products: Single Roller Cable Block, Pole Mount Single Roller Cable Block, Multiple Roller Cable Block, Economy Cable Block, Overlash Cable Block, Economy Overlash Cable Block, 90 Degree Corner Block, 90 Degree Large Diameter Corner Block, 45 Degree Corner Block, 45 Degree Large Diameter Corner Block.



| Part Number | Nominal Roller Size | | Roller Material | Roller Color | Maximum Cable O.D. A | | Min. Bending Radius B | | Max. Roller Width C | | Maximum Roller O.D. D | | Shaft Diameter E | |
|-------------|---------------------|----------|-----------------|--------------|----------------------|------|-----------------------|------|---------------------|------|-----------------------|------|------------------|------|
| | (in) | (mm) | | | (in) | (mm) | (in) | (mm) | (in) | (mm) | (in) | (mm) | (in) | (mm) |
| 18501010 | 1.00 x 2.25 | 25 x 57 | plastic | red | 1.00 | 25 | 0.31 | 8 | 1.50 | 38 | 2.25 | 57 | 0.38 | 10 |
| 18501044 | 1.25 x 2.25 | 32 x 57 | plastic | black | 1.25 | 32 | 0.32 | 8 | 1.82 | 46 | 2.25 | 57 | 0.38 | 10 |
| 18403066 | 2.75 x 2.25 | 70 x 57 | rubber | black | 2.50 | 63 | 0.32 | 8 | 1.82 | 46 | 2.25 | 57 | 0.38 | 10 |
| 18501008 | 2.75 x 4.62 | 70 x 117 | plastic | blue | 2.75 | 70 | 1.05 | 27 | 3.44 | 87 | 4.63 | 117 | 0.50 | 13 |
| 18501186 | 2.75 x 4.62 | 70 x 117 | aluminum | | 2.75 | 70 | 1.05 | 27 | 3.44 | 87 | 4.63 | 117 | 0.50 | 13 |
| 18501043 | 1.00 x 1.25 | 25 x 32 | stainless steel | | 1.00 | 25 | 0.32 | 8 | 1.50 | 38 | 1.25 | 32 | 0.38 | 10 |
| 18501012 | 1.25 x 1.25 | 32 x 32 | stainless steel | | 1.25 | 32 | 0.32 | 8 | 1.90 | 48 | 1.25 | 32 | 0.38 | 10 |
| 18501011 | 1.25 x 1.25* | 32 x 32 | stainless steel | | 1.25 | 32 | 0.30 | 8 | 3.63 | 92 | 1.25 | 32 | 0.38 | 10 |
| 18403067 | 2.75 x 1.25 | 70 x 32 | aluminum | | 2.50 | 63 | 0.32 | 8 | 1.90 | 48 | 1.25 | 32 | 0.38 | 10 |

*Double width roller

| Roller Size in (mm) | Roller Material | Roller Part No. | PRODUCT | | | | | | | | |
|------------------------|-----------------|-----------------|--|--------------------------------------|---------------------|----------------------|------------------------------|------------------|------------------|------------------------------|----------|
| | | | Single Roller Cable Block | Pole Mount Single Roller Cable Block | Economy Cable Block | Overlash Cable Block | Economy Overlash Cable Block | 90° Corner Block | 45° Corner Block | Overlash Aerial Cable Puller | |
| 1.00 x 2.25 (25 x 57) | plastic (red) | 18501010 | | | | | 18151500 | | | | |
| 1.25 x 2.25 (32 x 57) | plastic (black) | 18501044 | | | 18401060 | | | | 18101940 | 18103540 | |
| 2.75 x 2.25 (70 x 57) | rubber (black) | 18403066 | | | | 18403060 | | | | | |
| 2.75 x 4.62 (70 x 117) | plastic (blue) | 18501008 | 18000600 18000660 18001200 18001260 | 18000610 18000620 | | | | | 18101930 | 18103530 | 18308000 |
| 2.75 x 4.62 (70 x 117) | aluminum | 18501186 | 18000670 18001270 | 18000615 18000625 | | | | | 18101935 | 18103535 | |
| 1.00 x 1.25 (25 x 32) | stainless steel | 18501043 | | | | | | 18151600 | | | |
| 1.25 x 1.25 (32 x 32) | stainless steel | 18501012 | | | 18401080 | | | | | | |
| 1.25 x 1.25 (32 x 32) | stainless steel | 18501011 | | | | | | | | | |
| 2.75 x 1.25 (70 x 32) | aluminum | 18403067 | | | | 18401180 | | | | | |