

## CableGlider® STD Cable Puller

The Condux CableGlider STD Cable Puller offers portability and ease of set-up in a completely self-contained unit to adapt to a variety of pulling situations. It comes equipped with a two-speed removable power pack, providing up to 6,500 pounds (28,912 N) of pulling force at low speed. Speed changes are no problem with just a turn of a dial.

Design features include a self-tailing capstan for added stability, a pivoting arm and a foot switch for operator convenience and safety. Accepts all diameter rope (self-tailing capstan accepts  $\frac{5}{8}$ " [16 mm] to  $\frac{7}{8}$ " [22 mm] rope only).

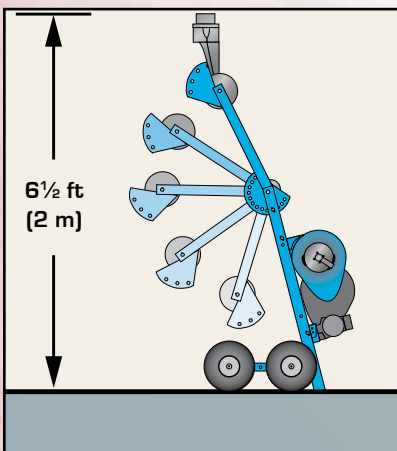
CableGlider STD includes the following items:

- Puller
- Foot switch
- Retaining Fork
- Conduit Adapters - 2" [51 mm], 3" [76 mm], 3½" [89 mm], 4" [102 mm]
- Tool box for the accessories

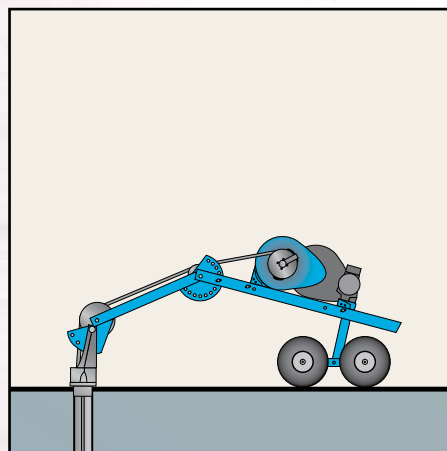


POWER CABLE  
INSTALLATION

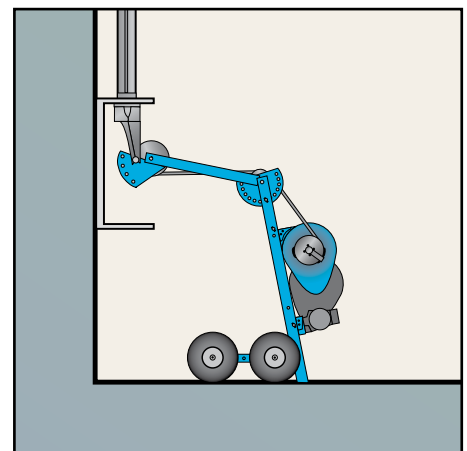
## CableGlider STD Typical Applications



PIVOTING ARM



VERTICAL (UP) PULL FROM FLOOR



VERTICAL (DOWN) PULL FROM BOX

## CableGlider STD

Part Number	Description
08610650	110 Volt Standard Cable Puller*
08610650S	110 Volt Standard Cable Puller Split*

\*(International orders must specify plug type)

**WARNING:** CableGlider Cable Pullers are not to be used as a hoist or for lifting, supporting or transporting people or loads.

## Complete Pulling Packages For CableGlider STD

Condux pulling packages offer cost savings and ordering convenience.

Part No.	Description
08674388	<b>CableGlider STD (Package 1)</b>
08674388S	<b>CableGlider STD (Package 1) Split</b>
	<ul style="list-style-type: none"> <li>• 110 Volt Puller with accessories (above)</li> <li>• Standard Extension Frame (pg. 90)</li> <li>• 600 ft. (183 m) of 5/8" (16 mm) double-braided rope (pg. 43)</li> <li>• Floor/Conduit/Pole Mount Frame (pg. 89)</li> <li>• 5" (127 mm) &amp; 6" (152 mm) adapters w/retaining fork (pg. 91)</li> <li>• Running Line Tensiometer with Chart Recorder (pg. 92)</li> </ul>
08610686	<b>CableGlider STD (Package 2)</b>
08610686S	<b>CableGlider STD (Package 2) Split</b>
	<ul style="list-style-type: none"> <li>• All items in package 1 with:</li> <li>• Amp-type Tensiometer (pg. 91) [replaces RLT]</li> </ul>



CableGlider STD Package 1

## Transformer Volt Converter 4000 Watt

Used only with the STD and Plus CableGliders.

### Features:

- 4000 Watt
- Heavy-Duty Continuous use Transformer
- One grounded outlet in front of unit (accepts 3 or 2 prong US and Euro plugs)
- Converts 220/240 Volts down to 110/120 Volts
- Built-In Fuse Protection
- Hard-Wire with European Shucko Plug also good for Asian Outlets

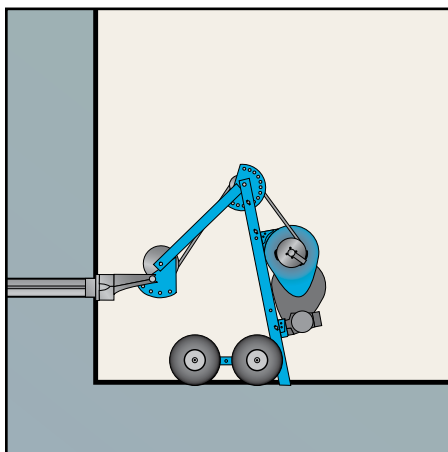
Part Number	Description
08674850	Transformer Volt Converter 4000 Watt

SPECIFICATIONS				
PULLING FORCE	Low Speed		High Speed	
	lbs	kN	lbs	kN
Maximum	6,500	28.9	3,500	15.6
Continuous	4,000	17.8	2,000	8.9
PULLING SPEED	ft/min	m/min	ft/min	m/min
No Load	17.5	5.3	39.2	12.0
At 2,000 lbs (8.9 kN)	13.5	4.1	18.8	5.7
At 4,000 lbs (17.8 kN)	9.5	2.9	—	—
At 6,000 lbs (26.7 kN)	7.0	2.1	—	—
Power Requirements				
<b>08610650</b>	115 VAC @ 10 Amps Min.			
<b>PEAK POWER</b>	1.9 HP (1.42 kW)			
<b>GENERATOR</b>	4000 Watt Recommended*			

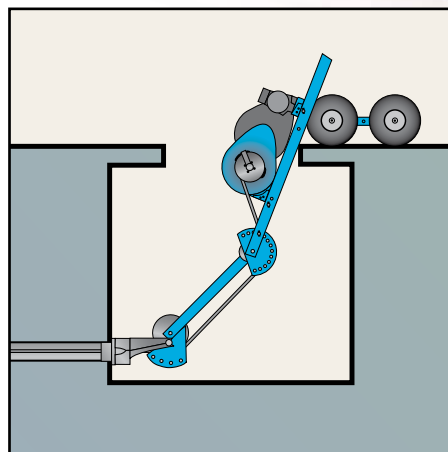
\*NOTE: Use of less than the recommended wattage generator may effect the pulling specifications listed above.

POWER CABLE INSTALLATION

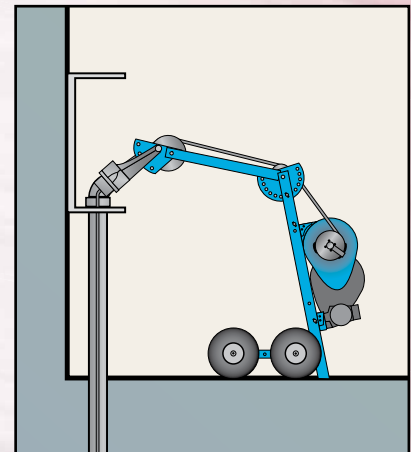
## CableGlider STD Typical Applications



HORIZONTAL PULL



HORIZONTAL VAULT PULL



VERTICAL PULL WITH 45° ELBOW