

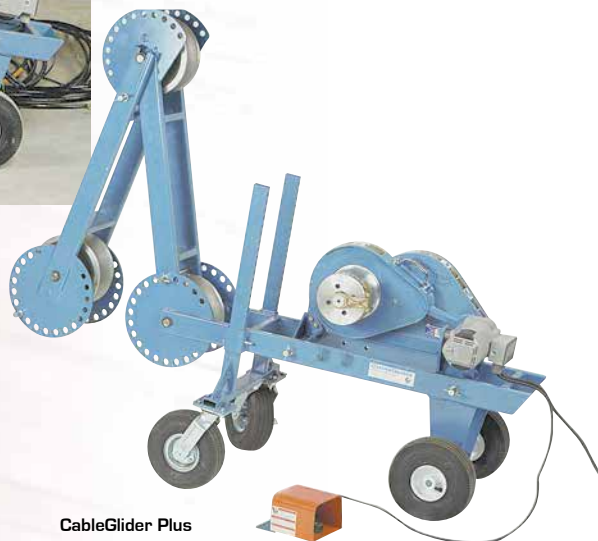
CableGlider® Plus Cable Puller

This model comes equipped with the same removable two-speed, 6,500 lbs (28,912 N) power pack and accessories as our STD model, but features a heavy-duty frame with an extra pivoting arm for added performance and versatility. In addition, the front frame height can easily be adjusted with pins. Like all CableGlider models, the Plus is portable, sets up quickly and comes completely self-contained, ready to work.

As with the STD model, the CableGlider Plus features a self-tailing capstan for added stability, a pivoting arm and a foot switch for operator convenience and safety. Accepts all diameter rope (self-tailing capstan accepts $\frac{5}{8}$ " (16 mm) to $\frac{7}{8}$ " (22 mm) rope only).

CableGlider Plus includes the following items:

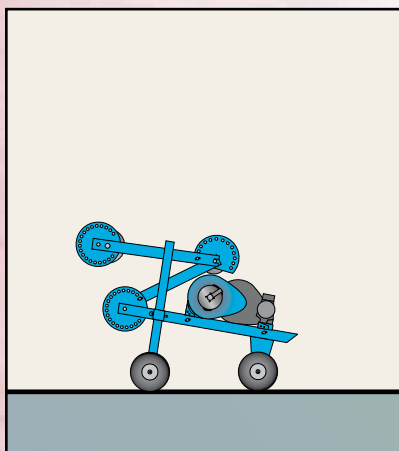
- Puller
- Foot switch
- Retaining Fork
- Conduit Adapters - 2" (51 mm), 3" (76 mm), 3½" (89 mm), 4" (102 mm)
- Tool box for the accessories



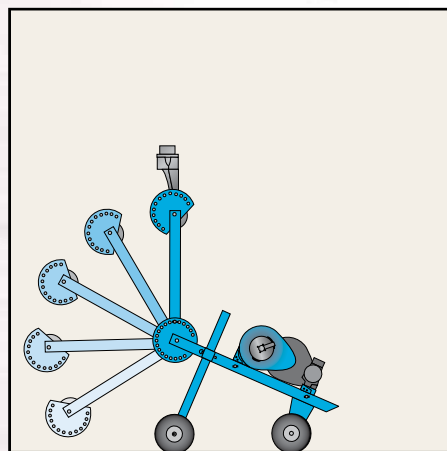
CableGlider Plus

POWER CABLE
INSTALLATION

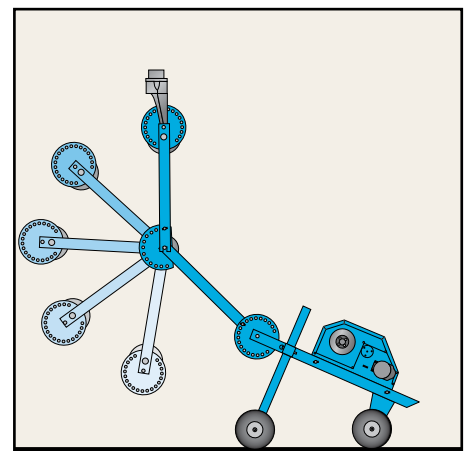
CableGlider Plus Typical Applications



TRANSPORT POSITION



FIRST PIVOTING ARM



SECOND PIVOTING ARM

CableGlider Plus

Part Number	Description
08674300	110 Volt Plus Cable Puller*
08674300S	110 Volt Plus Cable Puller Split*

*(International orders must specify plug type)

WARNING: CableGlider Cable Pullers are not to be used as a hoist or for lifting, supporting or transporting people or loads.

Complete Pulling Packages For CableGlider Plus

Condux pulling packages offer cost savings and ordering convenience.

Part No.	Description
08674391	CableGlider Plus (Package 1)
08674391S	CableGlider Plus (Package 1) Split <ul style="list-style-type: none"> • 110 Volt Puller with accessories (above) • HD Extension Frame (pg. 90) • 600 ft. (183 m) of 5/8" (16 mm) double-braided rope (pg. 43) • Floor/Conduit/Pole Mount Frame (pg. 89) • 5" (127 mm) & 6" (152 mm) adapters w/ retaining fork (pg. 91) • Running Line Tensiometer w/ data recorder (pg. 93)
08674386	CableGlider Plus (Package 2)
08674386S	CableGlider Plus (Package 2) Split <ul style="list-style-type: none"> • All items in package 1 with: • Amp-type Tensiometer (pg. 91) (replaces RLT)



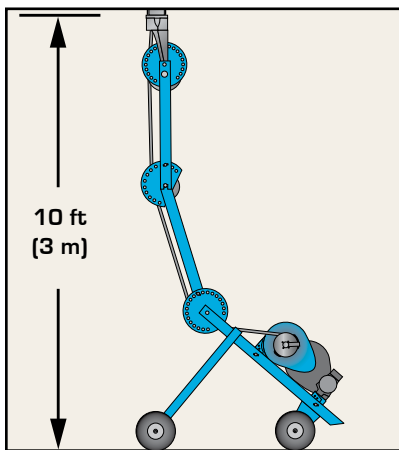
CableGlider Plus Package 1

SPECIFICATIONS				
PULLING FORCE	Low Speed		High Speed	
	lbs	kN	lbs	kN
Maximum	6,500	28.9	3,500	15.6
Continuous	4,000	17.8	2,000	8.9
PULLING SPEED	ft/min	m/min	ft/min	m/min
No Load	17.5	5.3	39.2	12.0
At 2,000 lbs (8.9 kN)	13.5	4.1	18.8	5.7
At 4,000 lbs (17.8 kN)	9.5	2.9	—	—
At 6,000 lbs (26.7 kN)	7.0	2.1	—	—
Power Requirements				
08674300	115 VAC @ 10 Amps Min.			
PEAK POWER	1.9 HP (1.42 kW)			
GENERATOR	4000 Watt Recommended*			

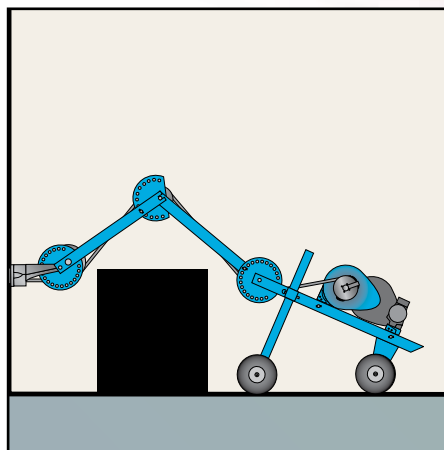
*NOTE: Use of less than the recommended wattage generator may effect the pulling specifications listed above.

POWER CABLE
INSTALLATION

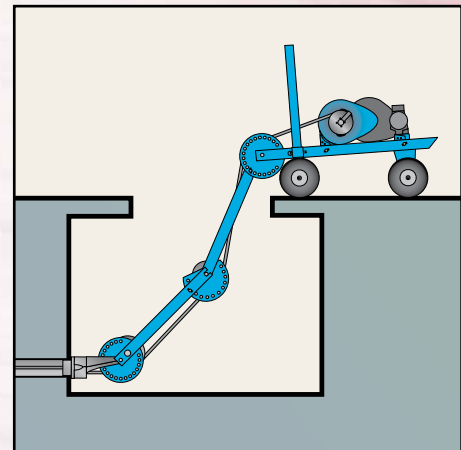
CableGlider Plus Typical Applications



VERTICAL OVERHEAD PULL



HORIZONTAL PULL
OVER OBSTRUCTION



HORIZONTAL VAULT PULL