



WINCH LINE BLOWER

CONDEX

FISHING & RODDING

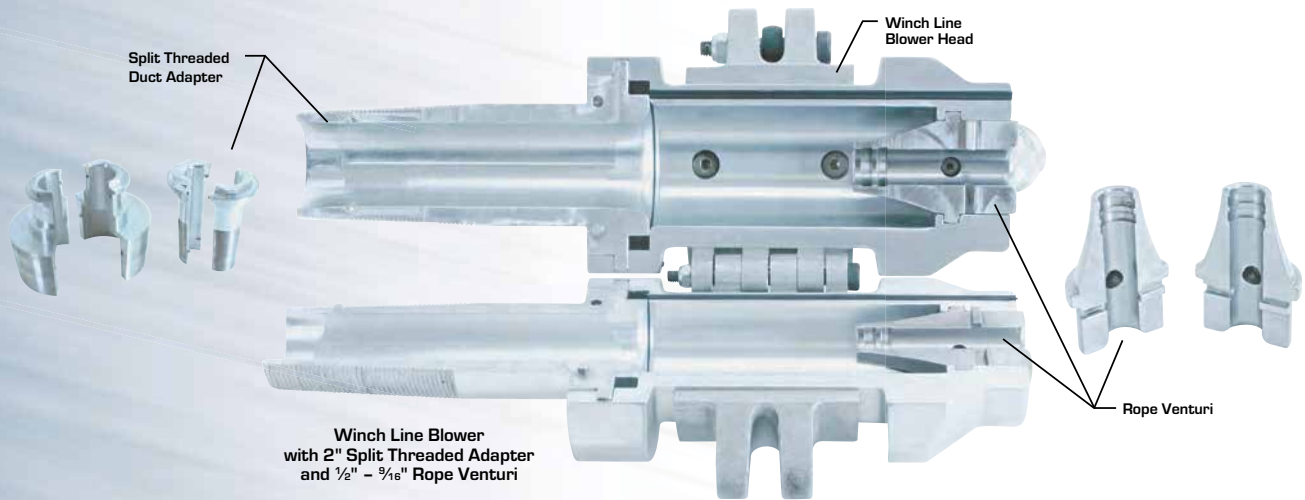


The Condux Winch Line Blower

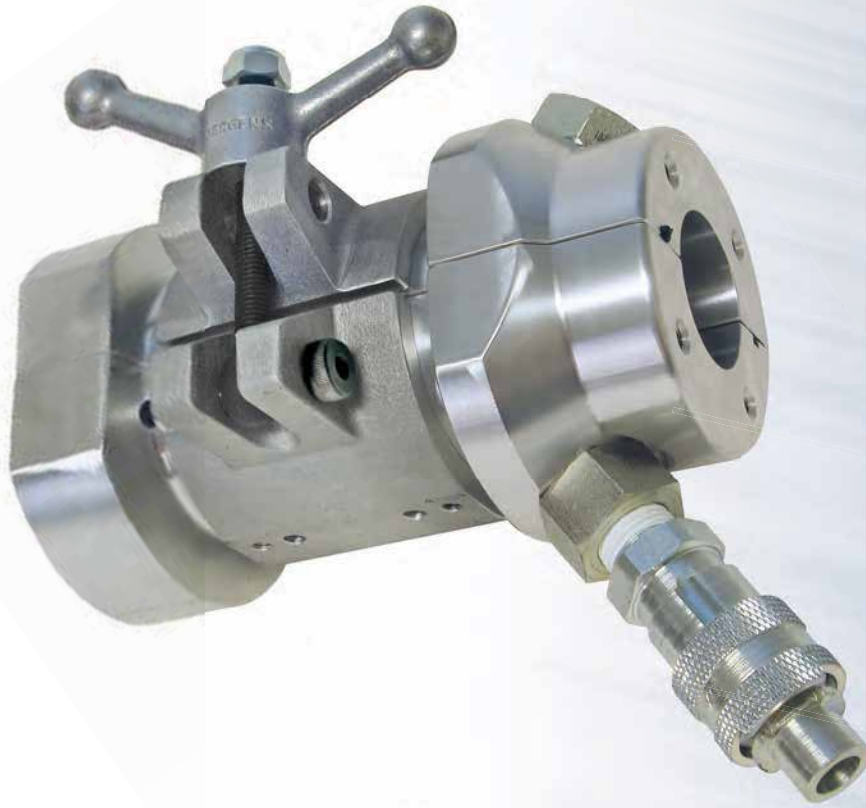
Is a method of installing winch line in Conduit. It turns the job of pulling winch line into one easy step. Eliminating the need to blow a string and pull back a rope.

Using compressed air, 90 psi and 100 cfm, the winch line blower can propel steel winch line, rope or tape in conduit from 1" to 6" in diameter.

Installation is easy. No special tools are required. Follow the steps called out on page 39.



Split Threaded Adapter Part No.	Duct Size (in)	Duct I.D. Range	Rope Venturi			Conduit Carrier
			1/4 - 3/8 (in)	1/2 - 3/16 (in)	7/8 (in)	
08201108	.75	0.83 - 1.00	08201089	08201086	08201090	Call Factory
08201110	1	0.90 - 1.13	08201089	08201086	08201090	Call Factory
08201112	1.25	1.25 - 1.40	08201089	08201086	08201090	Call Factory
08201115	1.5	1.40 - 1.65	08201089	08201086	08201090	Call Factory
08201020	2	1.91 - 2.10	08201089	08201086	08201090	08202020
08201025	2.5	2.29 - 2.47	08201089	08201086	08201090	08202520
08201030	3	2.83 - 3.10	08201089	08201086	08201090	08202920
08201041	4	3.80 - 4.06	08201089	08201086	08201090	08203920
08201051	5	4.71 - 5.08	08201089	08201086	08201090	08204920
08201061	6	5.61 - 6.10	08201089	08201086	08201090	08205920



WINCH LINE & ROPE INSTALLATION



Attach winch line to carrier and insert carrier into pipe.



Install the winch line in the conduit and thread adapter into conduit.



Place the winch line in the main blower body and select the proper venturi.



Complete the assembly, attach compressed air hose and blow in winch line.

PULLING TAPE INSTALLATION



Install pulling tape into winch blower through $\frac{1}{16}$ " tape adapter.



Attach pulling tape to carrier and insert carrier into pipe.



Install threaded adapter into conduit and assemble split winch line blower body.



Complete the assembly and blow in tape.



WINCH LINE BLOWER



FISHING & RODDING



Body

Part No.	Description
08201080	Winch Line Body Assembly 2-6in (body includes 1/2 - 3/16 venturi set)



Venturis

Part No.	Description
08201089	Venturi, Winch Line 1/4 - 3/8 set
08201086*	Venturi, Winch Line 1/2 - 5/16 set
08201090	Venturi, Winch Line 7/8 set

* Comes standard.

Plug

Part No.	Description
08780223	Plug, Venturi Air LW FO Blower (Used to seal off back to blow in mule tape or pea line)



Hose & Valve

Part No.	Description
08201015	Hose Valve Assembly-Winch Line

Adapters

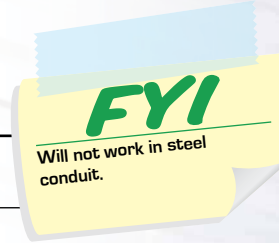
Part No.	Description
08201108	Winch Line Duct Adapter .75 in
08201110	Winch Line Duct Adapter 1 in
08201112	Winch Line Duct Adapter 1.25 in
08201115	Winch Line Duct Adapter 1.5 in
08201020	Winch Line Duct Adapter 2 in
08201025	Winch Line Duct Adapter 2 ½ in
08201030	Winch Line Duct Adapter 3 in
08201041	Winch Line Duct Adapter 4 in
08201051	Winch Line Duct Adapter 5 in
08201061	Winch Line Duct Adapter 6 in

See ranges on page 38.



Carriers

Part No.	Description
08202020	Carrier, Winch Line 2 S40&80, TC6
08202520	Carrier, Winch Line 2 ½ S40&80
08202920	Carrier, Winch Line 3 SCH 40&80
08203020	Carrier, Winch Line 3 S40, TC6&8
08203920	Carrier, Winch Line 4 S40&80, TEL
08204020	Carrier, Winch Line 4 S40, TEL
08204920	Carrier, Winch Line 5 SCH 40&80
08205020	Carrier, Winch Line 5 S40, TC6&8
08205920	Carrier, Winch Line 6 SCH 40&80
08206020	Carrier, Winch Line 6 S40, TC6&8



Rope Adapter

Rope Adapter
08201091

Storage Case

Storage Case
08201093



The Condux GRC to PVC Coupling

An accessory for the Condux Split Winch Line Blower. Adapt your threaded GRC pipe to PVC so you can use the Condux Winch Line Blower to blow in your hardline, rope or tape.

Part No.	Description
08201620	2" GRC to PVC Coupling
08201640	4" GRC to PVC Coupling
08201650	5" GRC to PVC Coupling
08201660	6" GRC to PVC Coupling



Adapter to use LW Blower Duct Seals

Part No.	Description
08201120	Duct Seals