

Complete Line of Cable Installation Equipment



Duct Rodders



Poly Line Pail



CableGlider® Pullers



Polyester Conduit
Measuring & Pull Tape

Complete Cable Installation Guide



The 172 page catalog contains over 600 photographs and illustrations depicting a wide range of underground and aerial products and applications. Let Condux make your next cable installation job faster, easier and safer.



CONDUX

CONDUX INTERNATIONAL, INC.

145 Kingswood Drive • PO Box 247
Mankato, MN 56002-0247 U.S.A.
1.507.387.6576 • 1.800.533.2077 (U.S. & Canada)
FAX 1.507.387.1442
e-mail: condxinfo@condux.com • www.condux.com

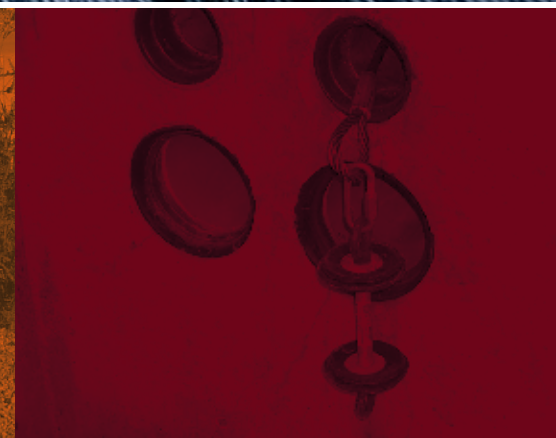
Available From

SAFETY • RELIABILITY • PRODUCTIVITY

UNIVERSAL Split Winch Line Blower

CONDUX

• WINCH LINE • ROPE • TAPE



CONDUX

ISO 9001:2000
CERTIFIED

CABLE PULLING

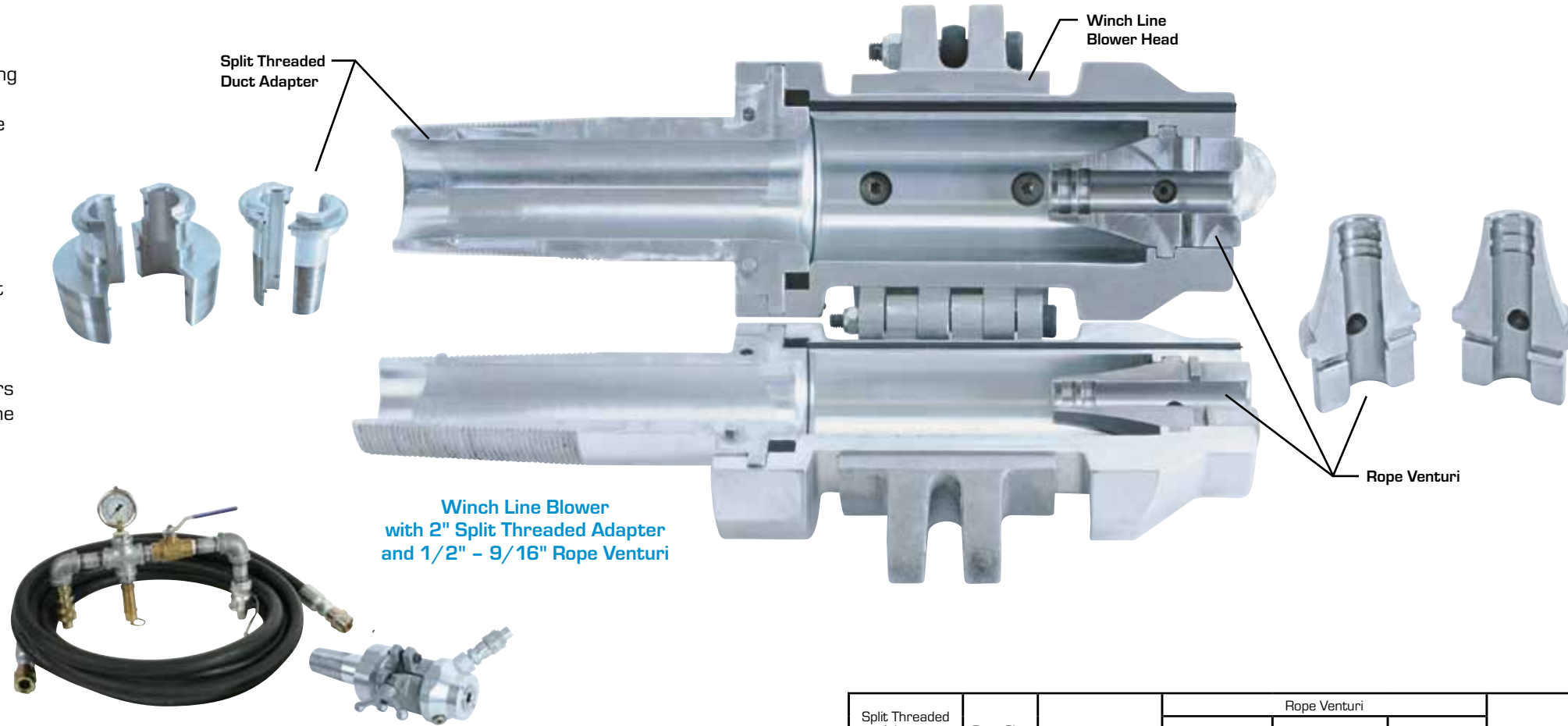
Split Winch Line Blower

The Condux split winch line blower allows you to install winch line, rope and measuring tape into 2-inch through 6-inch HDPE and PVC duct systems utilizing interchangeable adapters with one body.

Using compressed air, 90 PSI and 100 cfm, the split winch line blower can install 1/4- to 7/8-inch steel winch line or rope up to 1,600 feet! The new winch line blower system incorporates one main split body and split threaded adapters for each size of duct. Various sized rope venturis adapt to a wide range of rope sizes. Plus the specially designed unit now allows users to blow in mule tape as well. Eliminating the need for multiple blowing units!

The Condux Split Winch Line Features:

- 1/4- to 7/8-inch winch line capacity
- Duct sizes from 2 to 6 inches
- Universal winch line compatible with all split thread adapters
- No tools required for set up
- Installs winch line, rope & measuring tape



Winch Line Blower with 2" Split Threaded Adapter and 1/2" - 9/16" Rope Venturi



Optional Carrier Case
The convenient and portable carrier case moves the Condux split winch line blower and accessories quickly and easily from job site to job site.

BODY	
08201080	Winch Line Body Assembly 2-6in (body includes 1/2 - 9/16 venturi set)

VENTURIS	
08201089	Venturi, Winch Line 1/4 - 3/8 set
08201086*	Venturi, Winch Line 1/2 - 9/16 set
08201090	Venturi, Winch Line 7/8 set

* Comes standard.

PLUG	
08780223	Plug, Venturi Air LW FO Blower (Used to seal off back to blow in mule tape or pea line)

HOSE AND VALVE	
08201015	Hose Valve Assembly-Winch Line

ADAPTERS	
08201110	Winch Line Duct Adapter 1 in
08201112	Winch Line Duct Adapter 1.25 in
08201115	Winch Line Duct Adapter 1.5 in
08201020	Winch Line Duct Adapter 2 in
08201025	Winch Line Duct Adapter 2 1/2 in
08201030	Winch Line Duct Adapter 3 in
08201041	Winch Line Duct Adapter 4 in
08201051	Winch Line Duct Adapter 5 in
08201061	Winch Line Duct Adapter 6 in

CARRIERS	
08202020	Carrier, Winch Line 2 S40&80, TC6
08202520	Carrier, Winch Line 2 1/2 S40&80
08202920	Carrier, Winch Line 3 SCH 40&80
08203020	Carrier, Winch Line 3 S40, TC6&8
08203920	Carrier, Winch Line 4 S40&80, TEL
08204020	Carrier, Winch Line 4 S40, TEL
08204920	Carrier, Winch Line 5 SCH 40&80
08205020	Carrier, Winch Line 5 S40, TC6&8
08205920	Carrier, Winch Line 6 SCH 40&80
08206020	Carrier, Winch Line 6 S40, TC6&8

ROPE ADAPTER	
08201091	

STORAGE CASE	
08201093	

Split Threaded Adapter Part No.	Duct Size (in)	Duct I.D. Range	Rope Venturi			Conduit Carrier
			1/4 - 3/8 (in)	1/2 - 9/16 (in)	7/8 (in)	
08201110	1	0.90 - 1.13	08201087	08201083	08201088	Call Factory
08201112	1.25	1.30 - 1.40	08201087	08201083	08201088	Call Factory
08201115	1.5	1.40 - 1.65	08201087	08201083	08201088	Call Factory
08201020	2	1.91 - 2.10	08201087	08201083	08201088	08202020
08201025	2.5	2.29 - 2.47	08201087	08201083	08201088	08202520
08201030	3	2.83 - 3.10	08201087	08201083	08201088	08202920
08201041	4	3.80 - 4.06	08201087	08201083	08201088	08203920
08201051	5	4.71 - 5.08	08201087	08201083	08201088	08204920
08201061	6	5.61 - 6.10	08201087	08201083	08201088	08205920

WINCH LINE & ROPE INSTALLATION



Attach winch line to carrier and insert carrier into pipe.



Install the winch line in the conduit and thread adapter into conduit.



Place the winch line in the main blower body and select the proper venturi.



Complete the assembly, attach compressed air hose and blow in winch line.

PULLING TAPE INSTALLATION



Install pulling tape into winch blower through 7/16" tape adapter.



Attach tape to carrier and insert carrier into pipe.



Install threaded adapter into conduit and assemble split winch line blower body.



Complete the assembly and blow in tape.